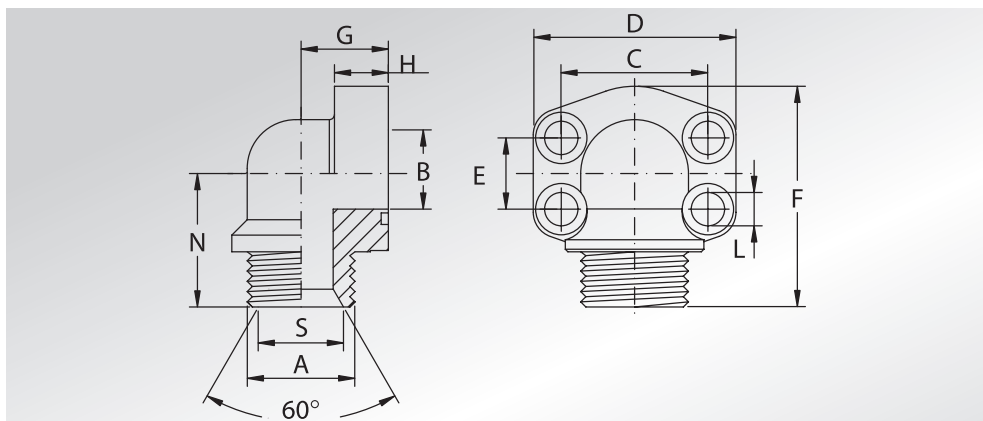




**FLANGE A 90°
A TENUTA CONICA
A 60°
FILETTATE GAS**

**90° FLANGES
WITH 60°
TAPERED SEAT
AND BSP THREAD**



| Pressione max di esercizio raccomandata Kg/cm ² | Grandezza | Tipo | Dimensioni | | | | | | | | | | | Viti | | Or tipo | Peso Kg |
|--|-----------|------|------------|---|---|---|---|---|---|---|---|---|---|--------|-----|---------|-----------|
| Maximum recommended working pressure Kg/cm ² | Size | Type | Dimensions | | | | | | | | | | | Screws | | Or type | Weight Kg |
| | | | A | B | C | D | E | F | G | H | L | N | S | Metric | Unc | | |

SERIE 3000

| | | | | | | | | | | | | | | | | | |
|-----|-------|--------------|-----------|-----------|-------|----|-------|----|----|----|------|----|-------|--------|-------------|------|------|
| 345 | 1/2" | AFS08090B | 1/2" GAS | 11,5 / 13 | 38,10 | 54 | 17,48 | 61 | 20 | 16 | 9 | 38 | 17,50 | M8x30 | 5/16"x1"1/4 | 4075 | 0,25 |
| 345 | 1/2" | AFS08090B038 | 3/8" GAS | 8,5 / 13 | 38,10 | 54 | 17,48 | 61 | 20 | 16 | 9 | 38 | 14,00 | M8x30 | 5/16"x1"1/4 | 4075 | 0,25 |
| 345 | 3/4" | AFS10090B | 3/4" GAS | 17 / 19 | 47,63 | 65 | 22,23 | 64 | 24 | 18 | 11 | 39 | 22,90 | M10x35 | 3/8"x1"1/2 | 4100 | 0,38 |
| 345 | 1" | AFS10290B | 1" GAS | 22 / 25 | 52,37 | 70 | 26,19 | 70 | 28 | 19 | 11 | 43 | 28,70 | M10x35 | 3/8"x1"1/2 | 4131 | 0,49 |
| 276 | 1"1/4 | AFS10490B | 1"1/4 GAS | 28,5 / 32 | 58,72 | 79 | 30,18 | 85 | 34 | 21 | 11,5 | 51 | 36,80 | M10x35 | 7/16"x1"3/4 | 4150 | 0,77 |
| 207 | 1"1/2 | AFS10690B | 1"1/2 GAS | 34 / 38 | 69,85 | 93 | 35,71 | 96 | 38 | 25 | 13,5 | 56 | 42,70 | M12x35 | 1/2"x1"3/4 | 4187 | 1,10 |

SERIE 6000

| | | | | | | | | | | | | | | | | | |
|-----|-------|--------------|-----------|-----------|-------|-----|-------|-----|----|----|------|----|-------|--------|-------------|------|------|
| 414 | 1/2" | AFS40190B012 | 1/2" GAS | 11,5 / 13 | 40,49 | 54 | 18,24 | 61 | 20 | 16 | 9 | 38 | 17,50 | M8x30 | 5/16"x1"1/4 | 4075 | 0,28 |
| 414 | 1/2" | AFS40190B038 | 3/8" GAS | 8,5 / 13 | 40,49 | 54 | 18,24 | 61 | 20 | 16 | 9 | 38 | 14,00 | M8x30 | 5/16"x1"1/4 | 4075 | 0,28 |
| 414 | 3/4" | AFS40290B | 3/4" GAS | 17 / 19 | 50,80 | 70 | 23,80 | 70 | 28 | 19 | 11 | 43 | 22,90 | M10x40 | 3/8"x1"1/2 | 4100 | 0,69 |
| 414 | 1" | AFS40390B | 1" GAS | 22 / 25 | 57,15 | 79 | 27,76 | 85 | 34 | 21 | 13 | 51 | 28,70 | M12x45 | 7/16"x1"3/4 | 4131 | 1,11 |
| 414 | 1"1/4 | AFS40490B | 1"1/4 GAS | 28,5 / 32 | 66,68 | 93 | 31,75 | 96 | 38 | 25 | 15 | 56 | 36,80 | M14x45 | - | 4150 | 1,45 |
| 414 | 1"1/4 | AFS40490BL13 | 1"1/4 GAS | 28,5 / 32 | 66,68 | 93 | 31,75 | 96 | 38 | 25 | 13,5 | 56 | 36,80 | M12x45 | 1/2"x1"3/4 | 4150 | 1,45 |
| 414 | 1"1/2 | AFS40590B | 1"1/2 GAS | 34 / 38 | 79,38 | 110 | 36,50 | 110 | 42 | 25 | 17 | 65 | 42,70 | M16x55 | 5/8"x2"1/4 | 4187 | 2,75 |

| DESIGNAZIONE PER ORDINE DESIGNATION FOR ORDER | Materiale / Material | |
|--|----------------------|-------------------|
| | S355 | AISI 316L |
| Solo flangia Only flange | AFS...90B | AFX...90B |
| Flangia completa di viti metriche, grower e o-ring Flange complete of metric screws, grower type washers and o-ring | AFS...90BM | AFX...90BM |
| Flangia completa di viti unc, grower e o-ring Flange complete of unc screws, grower type washers and o-ring | AFS...90BU | AFX...90BU |

NOTE / NOTES

set viti unc disponibili solo in acciaio al carbonio
unc screws set available only in carbon steel